



FNS-WHT-40801 + FNS-WHT-40305

**SPECIFICATION DATA SHEET**

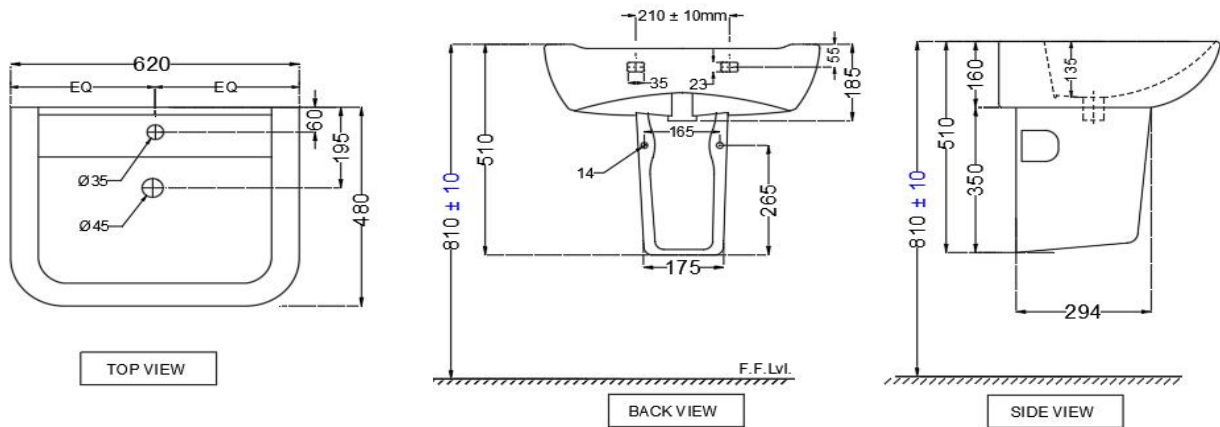
**PRODUCT DETAILS**

<b>Manufacturer</b>	Jaquar	<b>Type</b>	Wall Hung Basin with Half Pedestal
<b>Outlet</b>	Vertical	<b>Colour</b>	White
<b>Technical Details</b>	Tap hole dia. $\varnothing 35 \pm 2$ mm	<b>Material</b>	Ceramic - Vitreous China
	ID of waste outlet hole dia. $\varnothing 45 \pm 3$ mm	Horizontal distance between the center line of the tap hole and the center line of the waste outlet hole $\leq 135$ mm	

**PRODUCT IMAGE**



**TECHNICAL DRAWING**



<b>Product Dimension</b>	620X480X185 with Pedestal 510 mm	<b>FEATURES</b>  With tap hole and over flow Hole Cap, Anti Germ Glaze
<b>Basin Inner Dimension</b>	505x305x145 mm	
<b>Product Weight</b>	26	
<b>ACCESSORIES INCLUDED</b>		
Overflow hole Cap		ZPS-WHT-9012B
Rag bolt		ZPS-MST-RB03
Pedestal fixing screw		ZPS-WHT-FB05

**CERTIFICATION**

Compliance : EN 997 :2012+A1 2015 (E) ,MS 2578: 2014, AMD. 1: 2017, SANS 497:2011

All technical dimensions are in accordance to British standards, Bureau of Indian Standards



DISCLAIMER: Our every effort has been made to ensure factual accuracy, the information presented subject to changes due to requirements in different sites, markets and/ or countries. All dimensions are in mm (Tolerance  $\pm 5$  MM). Jaquar reserves the right to make the necessary amendments at any time without prior notice.